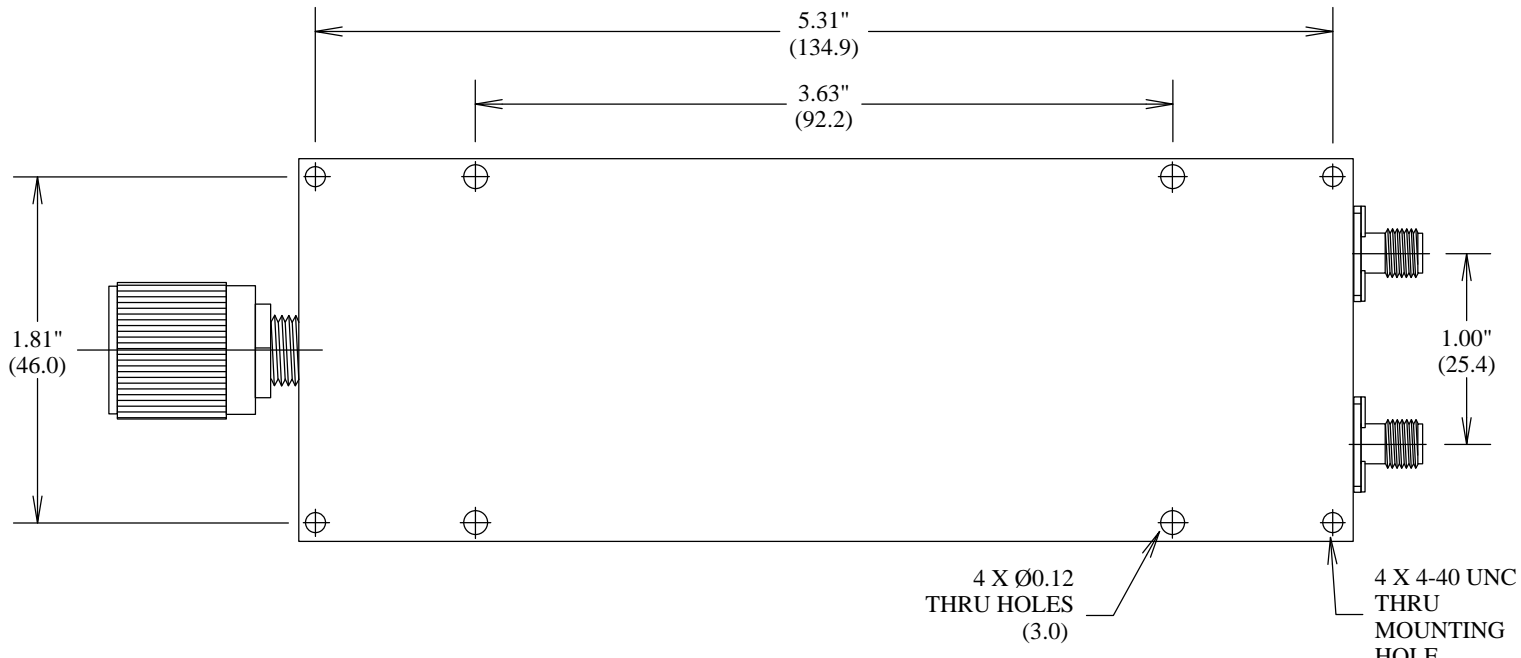
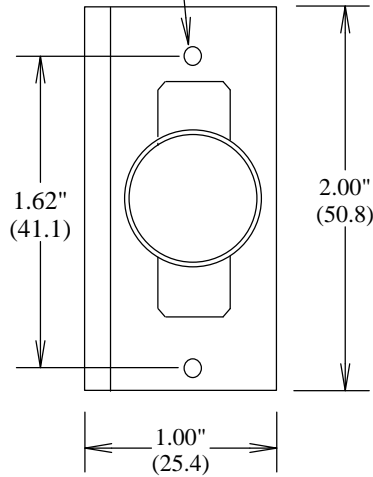


2.92 F'S 30° PHASESHIFTERS 18-40 GHZ

SMP4003A

2 X
4-40 X .25 DEPTH
MOUNTING HOLE



4 X Ø0.12
THRU HOLES
(3.0)

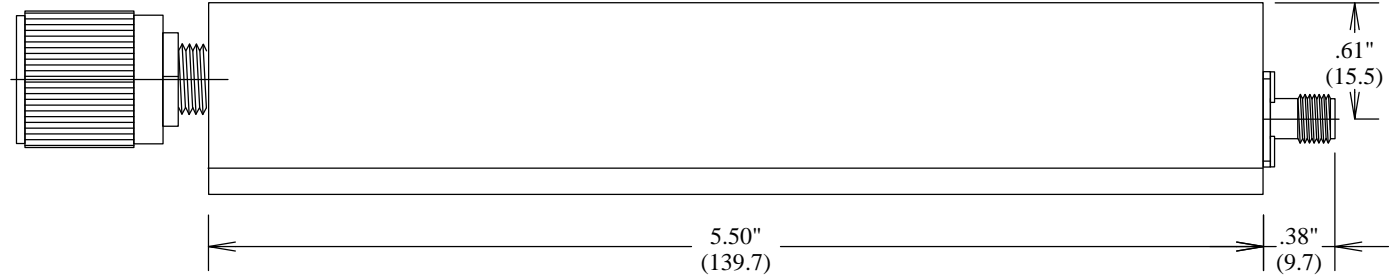
4 X 4-40 UNC
THRU
MOUNTING
HOLE

SPECIFICATIONS

ELECTRICAL

FREQUENCY: 18-40 GHZ
 VSWR: 2:1 MAX
 POWER CW: 100 WATTS
 POWER PEAK: 3KW
 IMPEDANCE: 50 OHMS
 INSERTION LOSS: 2.5 DB MAX
 MIN. ADJUSTABLE PHASE SHIFT: 0 TO 360°
 INSERTION PHASE @ 1 GHZ: 240°(MIN SETTING)

MATERIAL CONNECTORS: PASSIVATED STAINLESS STEEL
 MATERIAL BODY: ALUMINUM



FAIRVIEW MICROWAVE INC.

ALLEN, TX 75013 WWW.FAIRVIEWMICROWAVE.COM

TITLE

**2.92 F'S 30° PHASESHIFTERS
18-40 GHZ**

SIZE	CAGE CODE	DWG NO	REV
A	3FKR5	SMP4003A	--
SCALE		SHEET	

ALL DIMENSIONS IN inches(MM) Typical